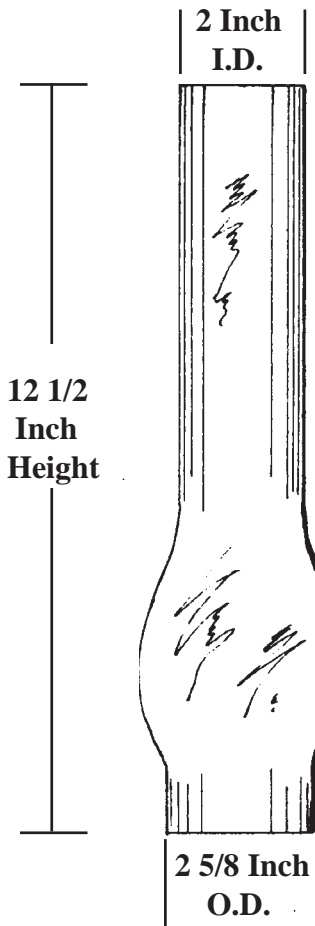


ALADDIN®

MODEL NO. 2 EXPLODED VIEW PARTS LIST

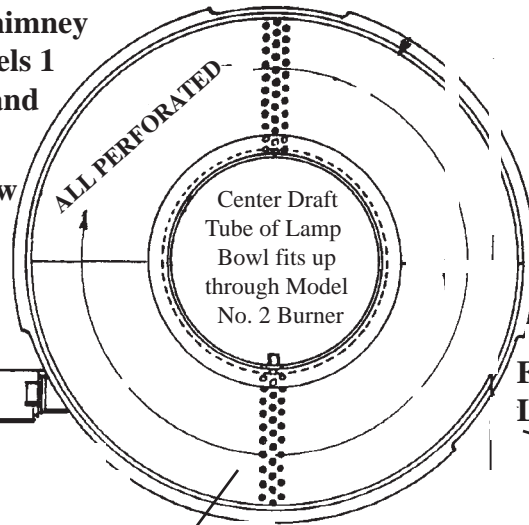
Sold from May 1909 to August 1910

Model No 2
Thimble Type
Flame Spreader
(Not Avail.)



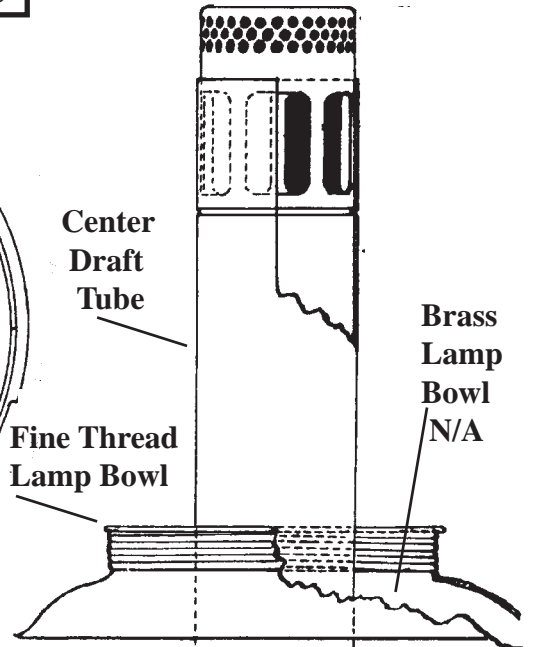
R910 Heel-less
Glass Chimney
fits Models 1
thru 11 and
23A

Top View
Burner
Base



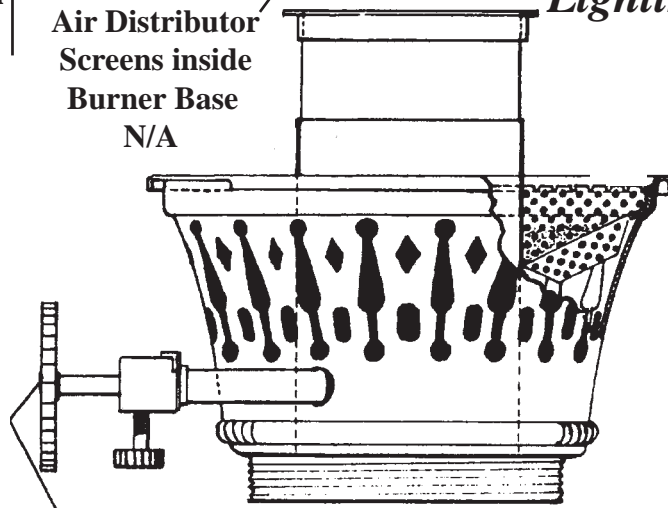
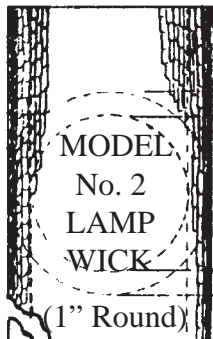
Center
Draft
Tube

Fine Thread
Lamp Bowl

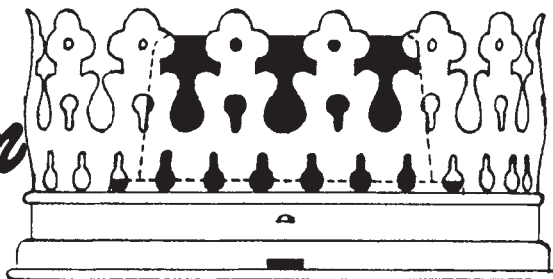
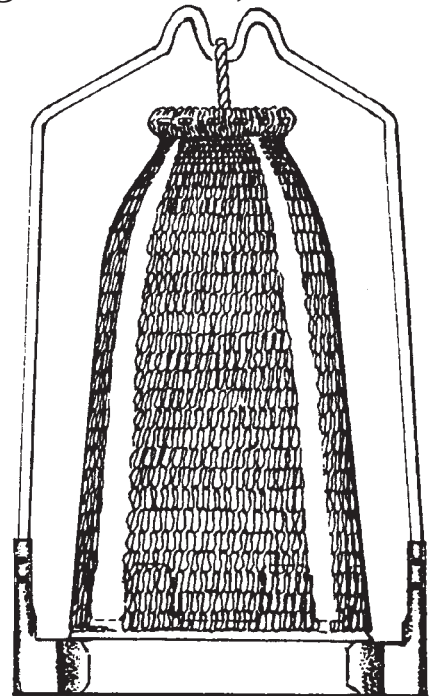


Model No. 2
Air Distributor
Screens inside
Burner Base
N/A

Lighting The World, Since 1908



Face
Model
No. 2
Burner
Knob



Aladdin Mantle Lamp Company
681 International Blvd.
Clarksville, TN 37040, USA
Tel: 800-457-5267 FAX: 931-647-4517
www.aladdinlamps.com
e-mail: sales@aladdinlamps.com