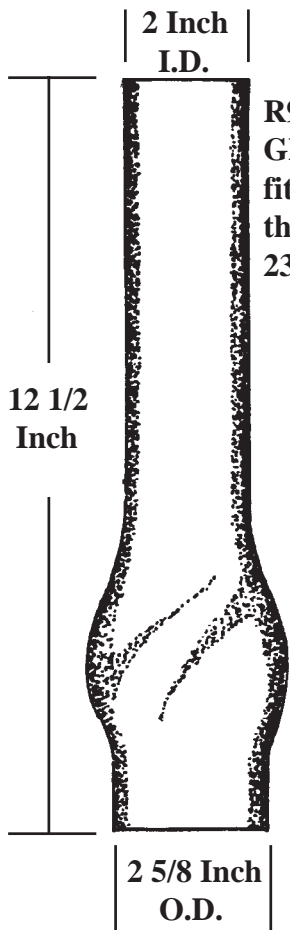


# ALADDIN®

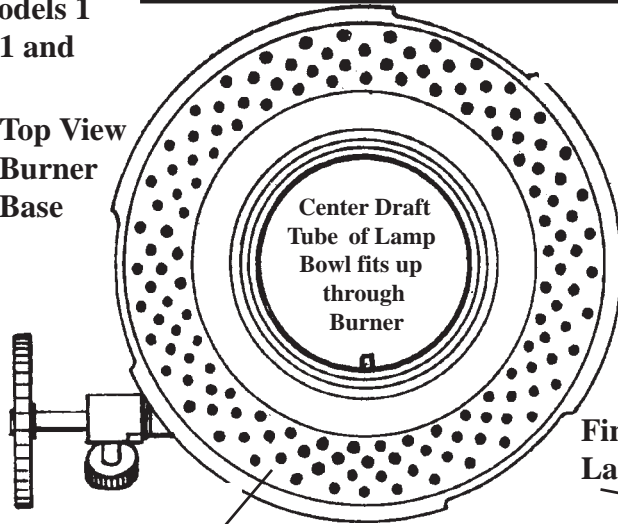
## MODEL NO. 1 EXPLODED VIEW PARTS LIST

Sold from May 1908 to April 1909

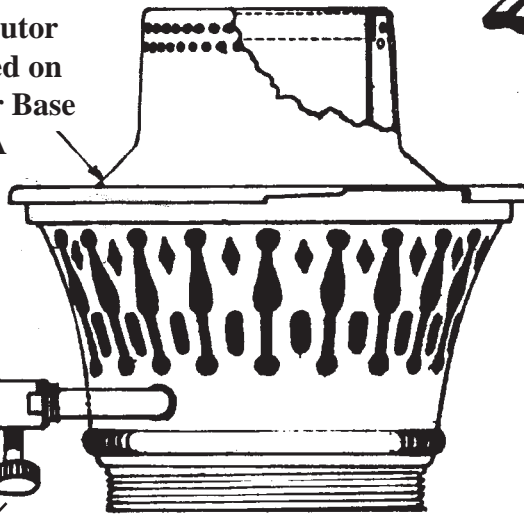


R910 Heel-less Glass Chimney fits Models 1 thru 11 and 23A

Top View Burner Base

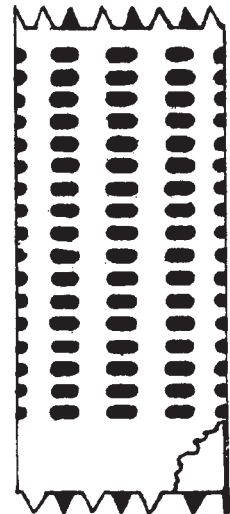
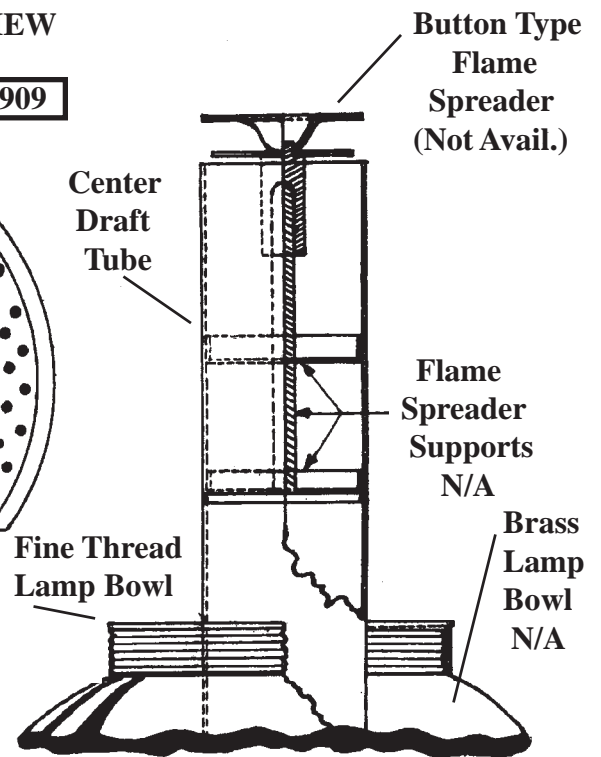


Model 1 Air Distributor installed on Burner Base N/A



Side View Model No. 1 Burner Base (Not Available)

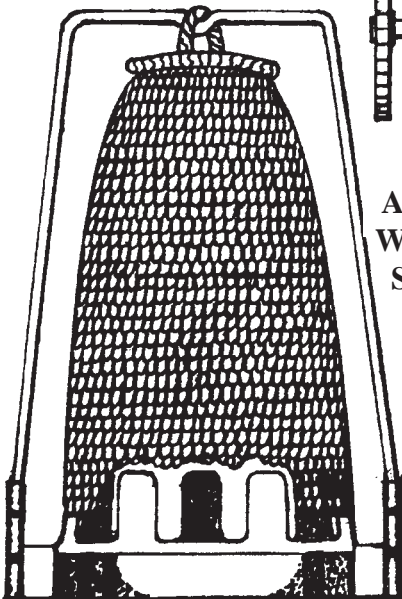
Adjustable Wick Wheel Set Screw N/A



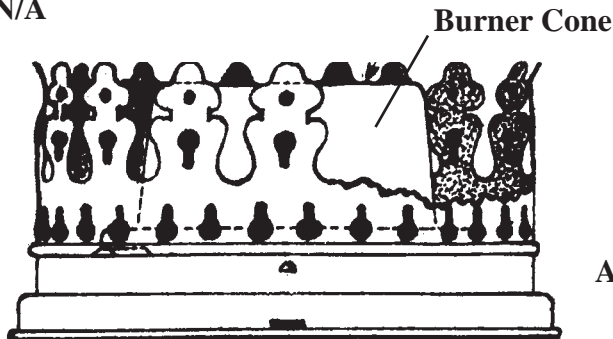
Model No. 1 Wick Raiser N/A

NOTE: Use any one inch Aladdin wick by removing metal tabs and installing in Model 1 wick raiser.

Face Model No. 1 Burner Knob



Model No. 1 Cap Mantle N/A



Model No. 1 Gallery with Burner Cone N/A



Aladdin Mantle Lamp Company  
681 International Blvd.  
Clarksville, TN 37040, USA  
Tel: 800-457-5267 FAX: 931-647-4517  
www.aladdinlamps.com  
e-mail: sales@aladdinlamps.com

*Lighting The World, Since 1908*